

PRODUCT DATA SHEET

Standing: 2024-10-07

LAUDA filling and draining unit FD 50

100-240 V; 50/60 Hz

Part Number: L003650

Features

- Active filling and draining system for temperature control circuits with changing applications
- Useable on LAUDA Integral variants IN XT and IN P
- Setting the parameters via the operating menu of the temperature control unit
- Automatic filling and emptying sequence, status visualized via illuminated keys
- Demand-related manual override of automation possible
- Allowed heat transfer liquids: Water/glycol mixtures
- Calibratable pressure sensors
- Pneumatic leak test before filling
- Auxiliary pump for active support of filling via the thermostat
- Monitoring of the liquid temperature before compressed air discharge
- Large tank reservoir with level detection for handling large quantities of liquid
- Mesh filter against aerosols
- Full process integration via connectivity temperature control unit
- Communication to the temperature control unit via LiBus
- Prepared to accommodate a flow control system to reduce footprint
- Wetted parts free of non-ferrous metals
- Mobile on casters
- Available accessories: Inline - filter (strainer); Sight glass for venting control; Automatic refill incl. pump; Automatic refill via solenoid valve

LAUDA DR. R. WOBSEY GMBH & CO. KG
Laudaplatz 1 • 97922 Lauda-Königshofen • DE

T + 49 (0) 9343 503-0
info@lauda.de • www.lauda.de
WEEE-Reg.-Nr.: DE 66 42 40 57

Kommanditgesellschaft: Sitz Lauda-Königshofen
Registergericht Mannheim • HRA 560069

Persönlich haftende Gesellschafterin:
LAUDA DR. R. WOBSEY Verwaltungs-GmbH
Sitz Lauda-Königshofen
Registergericht Mannheim • HRB 560226

Geschäftsführer:
Dr. Gunther Wobser (Vors.), Dr. Mario Englert,
Dr. Marc Stricker
Beirat: Dr. Gerhard Wobser

PRODUCT DATA SHEET

Standing: 2024-10-07

LAUDA filling and draining unit FD 50

100-240 V; 50/60 Hz

Part Number: L003650

Technical Features

Working temperature range	10 ... 40 °C
Operating temperature range	-40 ... 140 °C
Filling volume min.	1.2 L
Filling volume max.	56.2 L
In / Outlet connection thread (outside)	M38 x 1,5
Weight	92 kg
Overall dimensions (WxDxH)	627 x 1033 x 936 mm
Power consumption max.	0.2 kW
Power supply	100-240 V; 50/60 Hz
Power plug	2 Power cords with plug (CEE7/7 and NEMA 5-15P)
Certification	NRTL according to UL 61010-1:2012/R:2023-06, CSA C22.2 No. 61010-1:2012/U3:2023-06, EN 61010-1:2010/A1:2019

Reserve technical changes

LAUDA DR. R. WOBSEY GMBH & CO. KG
Laudaplatz 1 • 97922 Lauda-Königshofen • DE

T + 49 (0) 9343 503-0
info@lauda.de • www.lauda.de
WEEE-Reg-Nr.: DE 66 42 40 57

Kommanditgesellschaft: Sitz Lauda-Königshofen
Registergericht Mannheim • HRA 560069

Persönlich haftende Gesellschafterin:
LAUDA DR. R. WOBSEY Verwaltungs-GmbH
Sitz Lauda-Königshofen
Registergericht Mannheim • HRB 560226

Geschäftsführer:
Dr. Gunther Wobser (Vors.), Dr. Mario Englert,
Dr. Marc Stricker
Beirat: Dr. Gerhard Wobser

PRODUCT DATA SHEET

Standing: 2024-10-07

LAUDA filling and draining unit FD 50

100-240 V; 50/60 Hz

Part Number: L003650



Integral XT / P

FD 50

MID 80

LAUDA DR. R. WOBSEY GMBH & CO. KG
Laudaplatz 1 • 97922 Lauda-Königshofen • DE

T + 49 (0) 9343 503-0
info@lauda.de • www.lauda.de
WEEE - Reg.-Nr.: DE 66 42 40 57

Kommanditgesellschaft: Sitz Lauda-Königshofen
Registergericht Mannheim • HRA 560069

Persönlich haftende Gesellschafterin:
LAUDA DR. R. WOBSEY Verwaltungs-GmbH
Sitz Lauda-Königshofen
Registergericht Mannheim • HRB 560226

Geschäftsführer:
Dr. Gunther Wobser (Vors.), Dr. Mario Englert,
Dr. Marc Stricker
Beirat: Dr. Gerhard Wobser

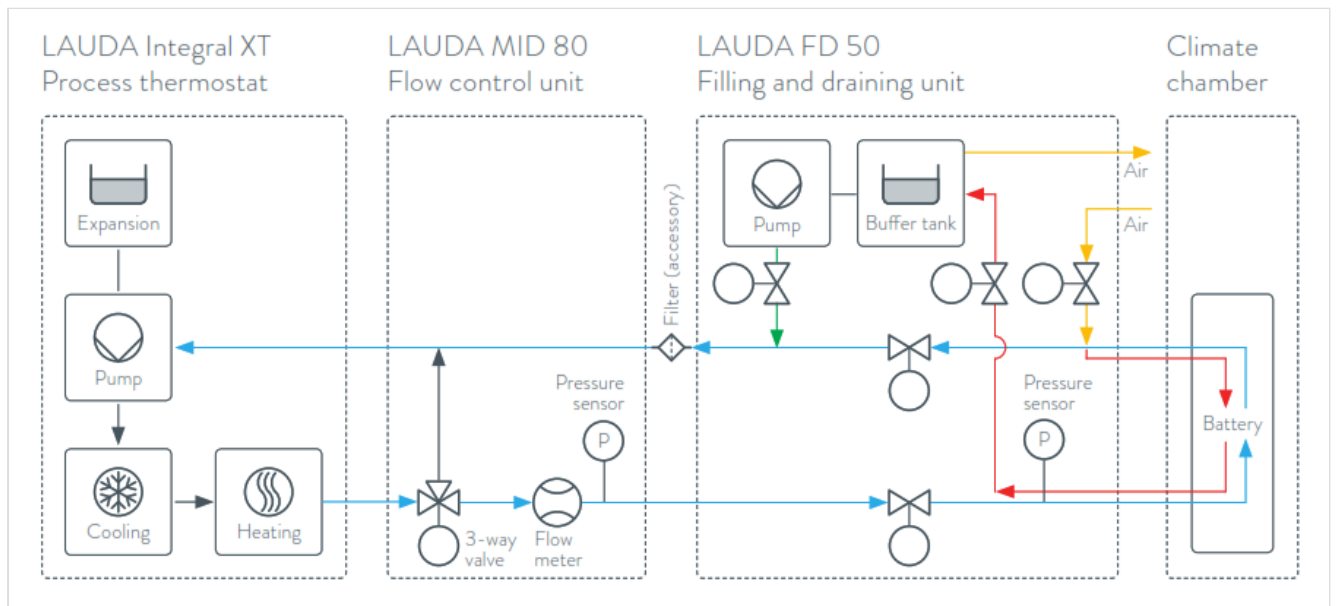
PRODUCT DATA SHEET

Standing: 2024-10-07

LAUDA filling and draining unit FD 50

100-240 V; 50/60 Hz

Part Number: L003650



Reserve technical changes

LAUDA DR. R. WOBSEY GMBH & CO. KG
Laudaplatz 1 • 97922 Lauda-Königshofen • DE

T + 49 (0) 9343 503-0
info@lauda.de • www.lauda.de
WEEE-Reg-Nr.: DE 66 42 40 57

Kommanditgesellschaft: Sitz Lauda-Königshofen
Registergericht Mannheim • HRA 560069

Persönlich haftende Gesellschafterin:
LAUDA DR. R. WOBSEY Verwaltungs-GmbH
Sitz Lauda-Königshofen
Registergericht Mannheim • HRB 560226

Geschäftsführer:
Dr. Gunther Wobser (Vors.), Dr. Mario Englert,
Dr. Marc Stricker
Beirat: Dr. Gerhard Wobser